

Evaluate the expression if $a=8$, $b=6$.

$$\frac{17b - a^2}{2}$$

1

©Maneuvering the Middle LLC, 2015

Evaluate the expression if $c=11$, $d=5$.

$$4d + 3c - d^2$$

2

©Maneuvering the Middle LLC, 2015

Evaluate the expression if $e=2$, $f=9$.

$$9e^2 - 3f$$

3

©Maneuvering the Middle LLC, 2015

Evaluate the expression if $g=7$, $h=1$.

$$\frac{18g - (g + h)2}{h^5}$$

4

©Maneuvering the Middle LLC, 2015

Evaluate the expression if
 $j=12, k=5, m=2$.

$$\frac{jkm - m^4}{4}$$

5

©Maneuvering the Middle LLC, 2015

Evaluate the expression if
 $n=9, p=4, q=1$.

$$(n - q) + 18p - q^2$$

6

©Maneuvering the Middle LLC, 2015

Evaluate the expression if
 $r=10, s=4, t=3$.

$$7s - t^3 + 4r$$

7

©Maneuvering the Middle LLC, 2015

Evaluate the expression if
 $v=11, w=7, x=2$.

$$\frac{wx + 9x - v}{3}$$

8

©Maneuvering the Middle LLC, 2015

Use the formula below to find the volume of a cube with a side length of 7cm.

$$V = s^3$$

9

©Maneuvering the Middle LLC, 2015

Use the formula below to find the area of a parallelogram with a base of 18cm and a height of 7cm.

$$A = bh$$

10

©Maneuvering the Middle LLC, 2015

Use the formula below to find the volume of a rectangular prism with a length of 6in, width of 9in, and height of 4.5in.

$$V = lwh$$

11

©Maneuvering the Middle LLC, 2015

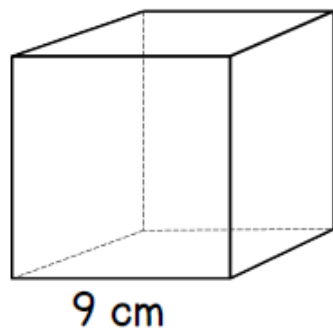
Use the formula below to find the area of a circle with a radius of 5in, if $\pi=3$.

$$A = \pi r^2$$

12

©Maneuvering the Middle LLC, 2015

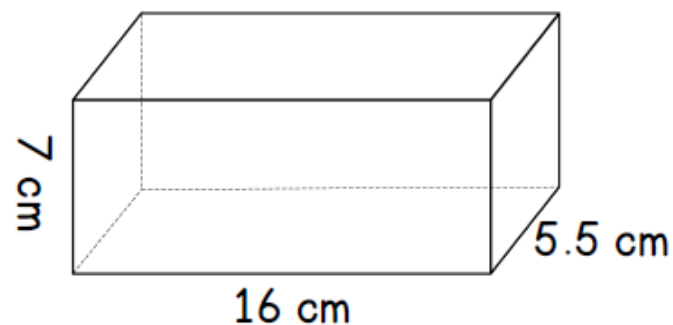
Use the formula $V = s^3$ to find the volume of the cube below.



13

©Maneuvering the Middle LLC, 2015

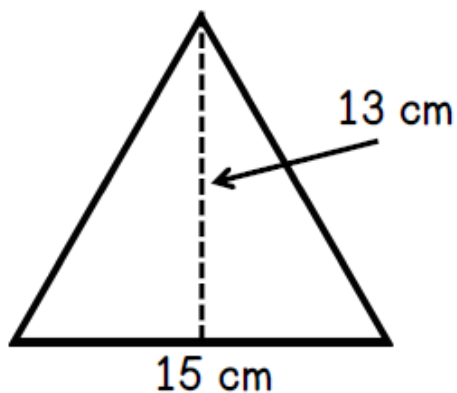
Use the formula $V = lwh$ to find the volume of the rectangular prism below.



14

©Maneuvering the Middle LLC, 2015

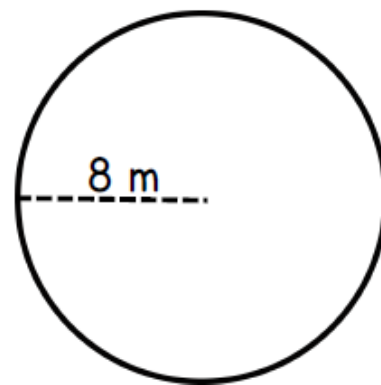
Use the formula $A = \frac{bh}{2}$ to find the area of the triangle below.



15

©Maneuvering the Middle LLC, 2015

Use the formula $A = \pi r^2$ to find the area of the circle below.



16

©Maneuvering the Middle LLC, 2015

Evaluate the expression if $a=9$, $b=2$.

$$ab + b^2$$

17

©Maneuvering the Middle LLC, 2015

Evaluate the expression if $c=7$, $d=8$.

$$11d + 9(d - c)$$

18

©Maneuvering the Middle LLC, 2015

Evaluate the expression if $e=12$, $f=7$.

$$\frac{(e + f) - 9}{f + 3}$$

19

©Maneuvering the Middle LLC, 2015

Evaluate the expression if $g=13$, $h=4$.

$$\frac{15g - (g - h)2}{2}$$

20

©Maneuvering the Middle LLC, 2015

Evaluate the expression if
 $j=7, k=8, m=9.$

$$\frac{jm - 7^2}{2} + k$$

21

©Maneuvering the Middle LLC, 2015

Evaluate the expression if
 $n=10, p=5, q=2.$

$$(n - q) + 9p - q^4$$

22

©Maneuvering the Middle LLC, 2015

Evaluate the expression if
 $r=4, s=12, t=3.$

$$8s - t^3 + tr$$

23

©Maneuvering the Middle LLC, 2015

Evaluate the expression if
 $v=9, w=4, x=3.$

$$\frac{vx + 2w - v}{2}$$

24

©Maneuvering the Middle LLC, 2015

Use the formula below to find the volume of a cube with a side length of 5cm.

$$V = s^3$$

25

©Maneuvering the Middle LLC, 2015

Use the formula below to find the area of a parallelogram with a base of 10.5cm and a height of 8cm.

$$A = bh$$

26

©Maneuvering the Middle LLC, 2015

Use the formula below to find the volume of a rectangular prism with a length of 12.2m, width of 7m, and height of 6m.

$$V = lwh$$

27

©Maneuvering the Middle LLC, 2015

Use the formula below to find the area of a circle with a radius of 4in, if $\pi=3$.

$$A = \pi r^2$$

28

©Maneuvering the Middle LLC, 2015

EVALUATING EXPRESSIONS

Show your work for each problem in the correct box.

1	2	3	4
5	6	7	8
9	10	11	12

13	14	15	16
17	18	19	20
21	22	23	24
25	26	27	28